

ABOUT COLLEGE

Pimpri Chinchwad College of Engineering was established in the year 1999 by Pimpri Chinchwad Education Trust under the leadership of Late Shri. Shankarrao B. Patil, Ex-member of parliament and other fellow trustees. As an outcome of the visionary approach and dedicated efforts, PCCOE is gaining its name and fame as an institute offering quality technical education.

The college is approved by All India Council for Technical Education, New-Delhi and affiliated to University of Pune and offers undergraduate courses in Mechanical, E & TC, IT and Computer Engineering and Post graduate courses MCA and MBA. We, all at PCCOE are committed to serve the society by providing the state of the art engineering education to develop students as competent engineers with ability to think, analyze, and work with right attitude, skills and ethics.

ABOUT OUR DEPARTMENT

Being a Flag ship Department of this engineering college, this department has excellent infrastructure, well equipped laboratories, dedicated and enthusiastic faculty members. Faculty members are always engaged in research, publications, laboratories development and qualification enhancement. Students of this department have always excelled in academics, co-curricular and extracurricular activities through which they get transformed to multi faceted personalities as expected by the industries and other employer industries are always looking for. Industry Institute Interaction takes place on regular basis through final year students projects, experts talks, industrial visits, sponsored research projects etc.

ABOUT THE COURSE

Students have a phobia of Engineering Graphics. They wander in search of help at places other than the institute. In fact teachers are found highly enthusiastic in making their

lecture deliveries effective and useful. However it needs to compile all innovative and effective practices adopted by teachers having expertise.

COURSE OBJECTIVES

It is high time to adopt modern teaching techniques like :

- Use of multimedia for concept development
- Use of Three – D modeling techniques
- Use of animations and videos for free hand sketching topic
- Demonstration for use of scanner and image editing techniques
- Development of work book, class room assignments , home assignments
- Development and use of models
- Developing quick reference concise guide book
- Exploring internet learning resources
- Quick assessment techniques for slow learners
- Advanced teaching methodologies of Engineering Graphics by expert teachers

PARTICIPANTS

Faculties from all Engineering Institutions under University of Pune

REGISTRATION DETAILS

- Limited to 50 Participants on first-come-first-serve basis.
- Last date of registration: **05th August 2010** through mail.
- Confirmation of Acceptance through E-mail by **09th August 2010**
- Registration Form is also available on Website: www.pccoepune.com
- Registration fees: Rs.500/-per participant will be accepted on **11 August 2010** from 8.00 am to 9.00 am.
- Course package includes lunch, course material/CD and certificate etc.
- Accommodation will be provided on the request.

Email_id : eg_pccoe11@yahoo.com

Pimpri Chinchwad College of Engineering

Sector 26, Pradhikaran Nigdi Pune-44
Tel: 020-27653168

**Three Days Workshop
On
Effective Teaching Techniques
for Engineering Graphics
11 – 13 August 2010**

REGISTRATION FORM

1. Name : _____

2. Designation: _____

3. Organization: _____

4. Address: _____

5. Phone with STD code:

Office _____

Mobile: _____

Email: _____

6. Accommodation (Yes/No):

Place:

Date:

Signature of the Applicant

CHIEF PATRON

- Hon. Shri. D. P. Landge, Chairman Pimpri Chinchwad Education Trust.

PATRON

- Hon. Shri. V. S. Kalbhor, Secretary
- Hon. Shri. S. D. Garade, Treasurer
- Hon. Shri. Harshwardhan Patil, Member (Cabinet Minister, Mah. State)
- Hon. Shri. Bhaijan Kazi, Member
- Hon. Shri. P. D. Vispute, Admin. Officer
- Hon. Shri. Dr. A. M. Fulambarkar, Principal
- Hon. Shri. D. B. Limaye, Dean Administration
- Prof. A. M. Kurkure, Dean Academics

CONVENER

Prof. S. K. Bhoite
Head of Mechanical Department
E-Mail : sanjiwanbhoite@rediffmail.com

CO-ORDINATOR

Mr. S. P. Salve
Mobile: +91-9822884168
Email: sanjaysalve@yahoo.com

RESOURCE PERSONS

- Prof. H. G. Phakatkar
Dean-Quality Assurance, VIT, Pune
- Prof. C. Sriramshastri
H.O.D Mechanical, JSPM, Pune
- Mr. Suchit Tiwari
Director, Cognifront, Nashik
- Prof. D. B. Limaye
Dean Administration, PCCOE, Pune

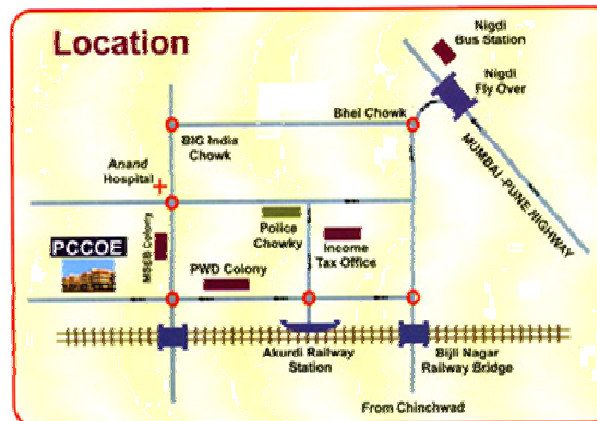
ORGANIZING COMMITTEE

- Prof. G. M. Desai
- Mr. S. S. Deshmukh
- Mr. R. N. Panchal
- Mrs. V. Y. Bhalerao
- Mr. V. R. Badgujar
- Mr. V. K. Aher

CONTACT US

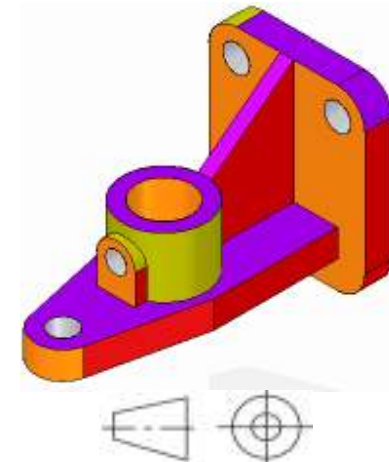
- Mr. S. P. Salve
Mobile: +91-9822884168
- Mrs. V. Y. Bhalerao
Mobile: +91-9850333565
- Mr. V. R. Badgujar
Mobile: +91-9595758943

HOW TO REACH



Three Days University Level Workshop

On
**Effective Teaching Techniques for
Engineering Graphics**
11 – 13 August 2010



Organized by

Department of Mechanical Engineering
Pimpri Chinchwad College of Engineering
Sector 26, Pradhikaran Nigdi Pune-44

Tel: 020-27653168 Ext:160

